



Designed specifically for low pressure, liquid applications, the **Cryo-Cyl LP** has a low center of gravity and a polished, stainless-steel outer shell, making these cylinders perfect for laboratory and hospital applications. By specifying stainless-steel casters, they become non-magnetic and ideal for MRI service.

As with every MVE product line, our attention to detail puts the **Cryo-Cyl LP** above the competition. Along with the optimal balance of low NER and the durability in a liquid cylinder, its design includes an extended-stem, easy-operating globe valve that provides less ice build-up on the handle and easier operation. A pressure building circuit inside the cylinder needs only an optional regulator kit to turn the **Cryo-Cyl LP** into a full, pressure-building unit.

Special Features:

- ◆ Easy to handle 26" (66.04 cm) diameter 230 liter model (low center of gravity)
- ◆ Extended stem liquid valve
- ◆ Rugged, oversized casters
- ◆ Optional stainless-steel casters (MRI applications)

Cryo-Cyl

Specifications

Model					
Size		120*	180	230RB*	230SB**
Pressure		LP	LP	LP	LP
Part Number		10648396	10648450	10648599	10648556
Capacity					
Liquid (Gross)	(liters)	120	196	240	240
Liquid (Net)	(liters)	110	185	230	230
Performance					
NER (N)	% per day	2.0	1.5	1.5	1.5
NER (O ₂ or Ar)	% per day	1.4	1.0	1.0	1.0
Dimensions & Pressure Ratings					
Diameter	in/cm	20/50.8	20/50.8	26/66.0	26/66.0
Height	in/cm	51/129.5	63.5/161.3	54.8/139.1	54.8/139.1
Empty Weight	lb/kg	165/74.8	210/95.2	275/125	311/141
Relief Valve Setting	psig/bar	22/1.5	22/1.5	22/1.5	22/1.5
DOT/CTC Rating		4L100	4L100	4L100	4L100
* Round caster base		** Square caster base			

Nomenclature

- | | |
|-----------------------------------|---------------------------------------|
| 1. Liquid Fill & Withdrawal Valve | 6. Relief Valve |
| 2. Pressure Building Regulator | 7. Pressure Building Valve |
| 3. Vent Valve | 8. Outer Vessel Burst Disc |
| 4. Inner Vessel Rupture Disc | 9. Pressure Building Coil |
| 5. Pressure Gauge | * PB Regulator Optional, P/N 10658826 |

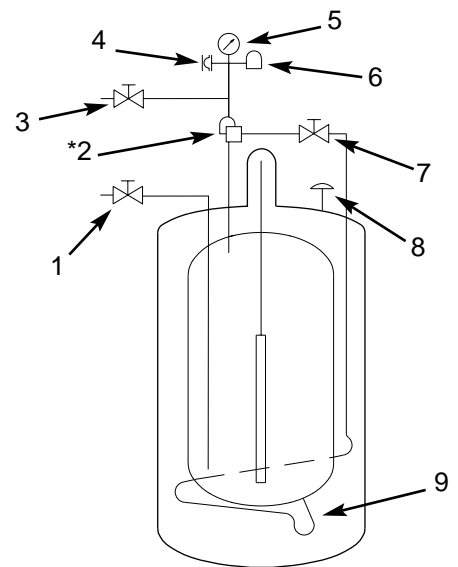


Chart-MVE, 3505 County Road 42 West, Burnsville, MN 55306-3803
 Web: www.mve-inc.com; E-mail: packagedgases@mve-inc.com
 US: 800-400-4683, FAX: 800-232-9683; Worldwide: 612-882-5090; FAX: 612-882-5008
 MVE Europe GmbH: +49 (0)212-700 570, FAX: +49 (0)212-700 577
 MVE Asia Pacific: 65-838-5209, FAX: 65-235-3680

